



HOKE® Monoflange Valves

Primary Isolation Valves



Representante Oficial
Tel: +54 11 4932-2322
Email: ventas@cvcontrol.com.ar
www.cvcontrol.com.ar

CRANE®

CRANE Instrumentation & Sampling, HOKE®
PO Box 4866 • Spartanburg, SC 29305-4866
(864) 574-7966 • www.hoke.com

Table of Contents

- Conventional Double Block & Bleed Assembly 3
- Applications, Specifications, Features & Benefits 4
- Features | Cutaway 5
- HOKE® Integral / GYROLOK® Tube Fitting Connections 6
- Standard Screwed Bonnet Dimensions 7-9
- OS&Y Bonnet Dimensions 10-12
- How to Order 13

HOKE® - Monoflange Valves

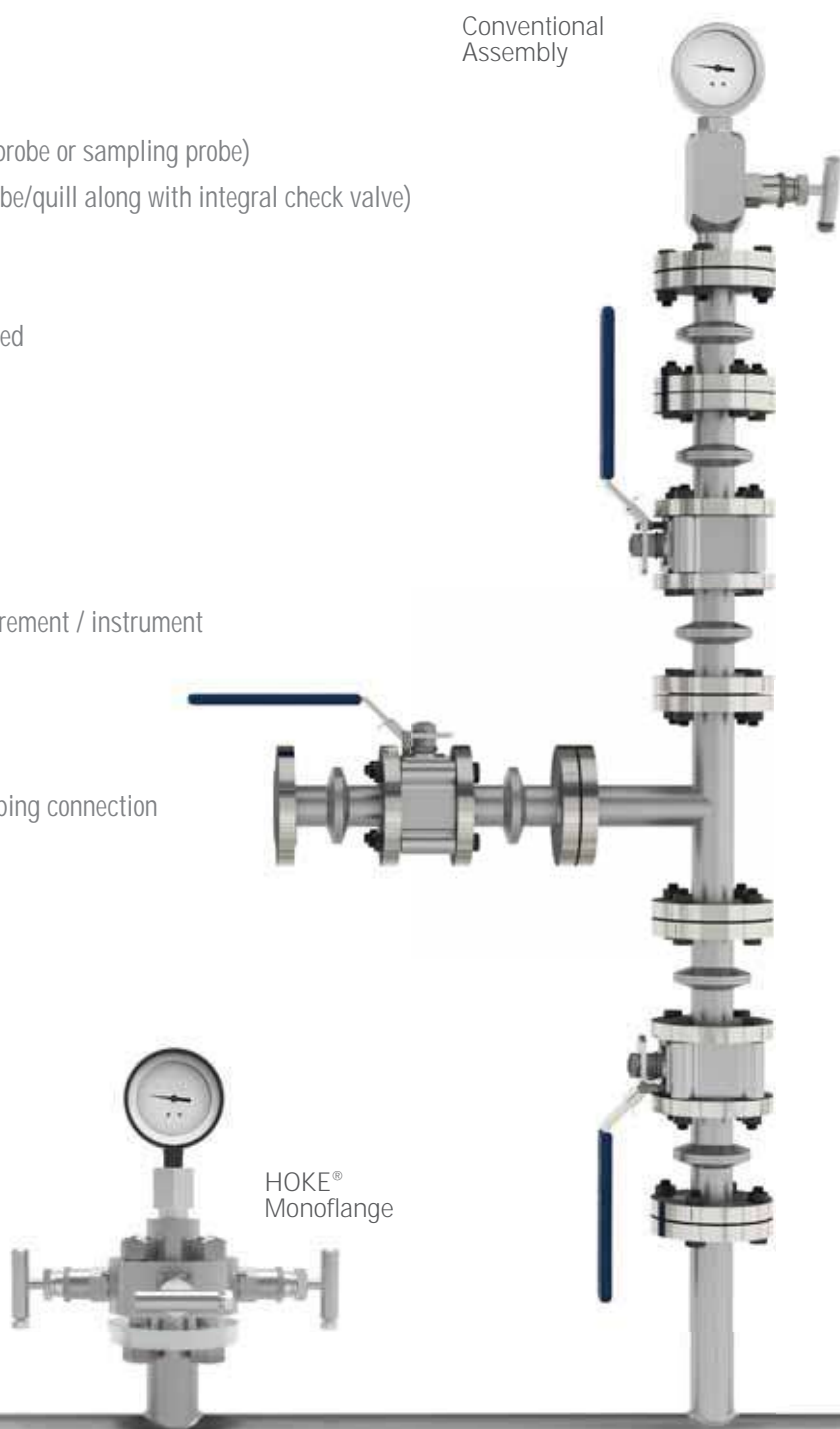
The HOKE® Monoflange is designed for pressure instrument take-off points, sampling, injection, venting and purging applications. The Monoflange simplifies these applications by making them more compact, rigid, lighter, safer, and lower cost than the conventional piping valve assemblies.

APPLICATIONS

- Primary Process Isolation Valve
- Pressure instrument take off points
- Sampling Systems (valve has an integral pipe probe or sampling probe)
- Chemical Injection Systems (valve has pipe probe/quill along with integral check valve)
- Flushing Connections
- Vent & Purge Applications
- Drains for tanks and pipes where space is limited
- Chemical Seal Applications

FEATURES & BENEFITS

- Overall length reduced by $\pm 70\%$
- Overall weight reduced by $\pm 80\%$
- Brings pressure point closer to pressure measurement / instrument
- Reduced labor cost
- Reduced leak points
- Reduced need for support brackets
- Reduced bending moment/stress on primary piping connection



Applications

Upstream Offshore/Onshore Gas and Oil production and initial processing installations. Typically used on gauge pressure instrument applications to minimize the size and weight of the pipe-valve assemblies used for primary and/or secondary isolation, vent and calibration.

- Pressure Measuring Points
- Sample Connections
- Analytical Connections

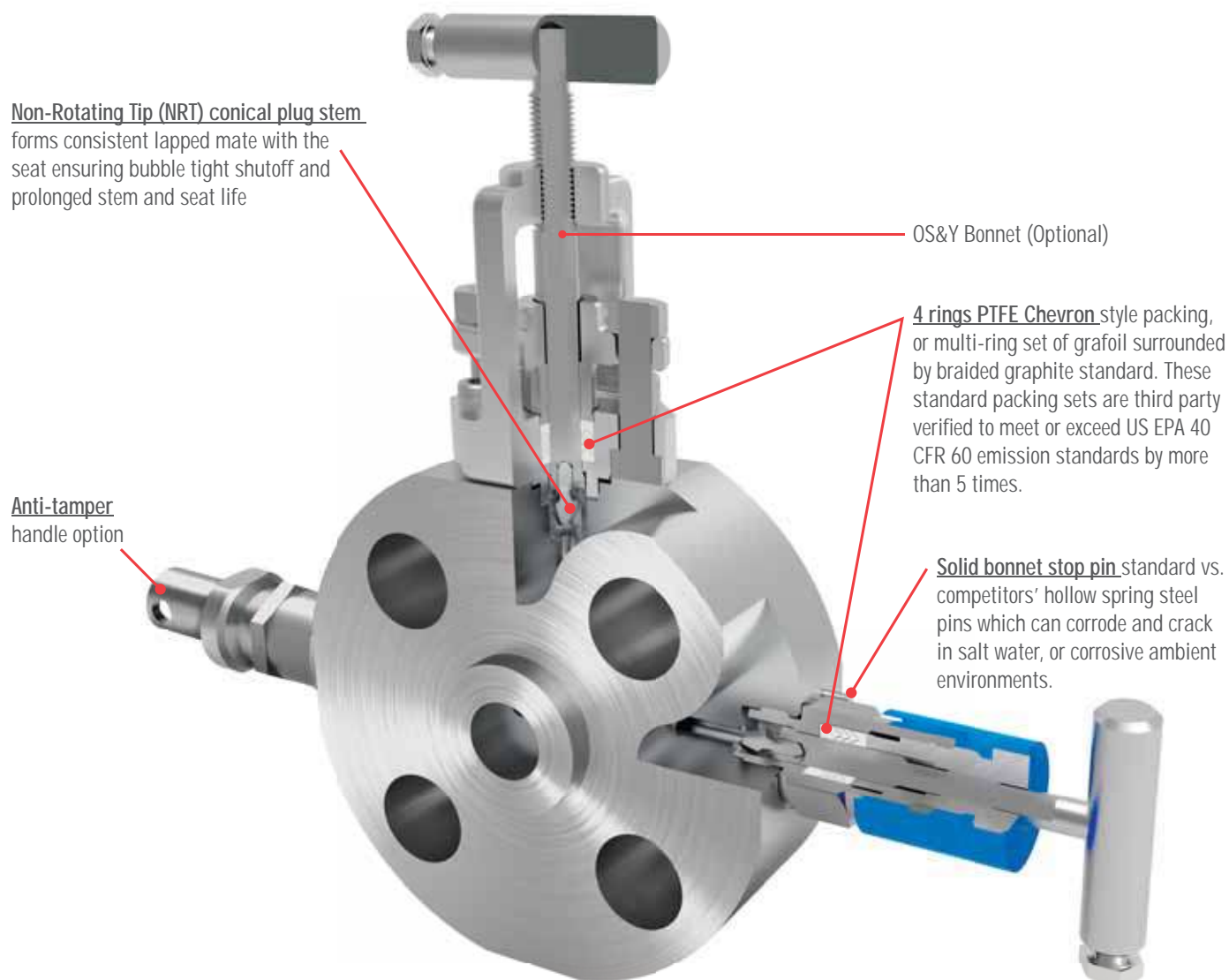
Features and Benefits

- One piece body means compact design with less leak points.
- Large variety of standard and optional materials and outlet options, mean you can select the style you need right from the catalog.
- HOKE® utilizes Non-Rotating Stem Tip (NRT) technology. When the stem tip contacts the seat, it stops rotating, preventing the cross scoring and eventual leaks that can occur with ball type stems.
- Standard Materials: A479 Type 316L and NACE, A105 Carbon Steel HASTELLOY® C276, MONEL®, INCOLOY® alloy 825, INCONEL® alloy 625, Duplex A182, Titanium.
- 0.187" (4,75 mm) standard orifice design means lower probability of plugging than competitive smaller port designs.
- Long life / Low leakage - Four rings PTFE Chevron style packing, or multi-ring set of grafoil surrounded by braided graphite standard. These standard packing sets are third party verified to exceed US EPA 40 CFR 60 emission standards by more than 5 times. Less probability of leaks mean less risk.
- High quality metal to metal shutoff meets ANSI Class VI criteria pressure Equipment Directive.
- Due to internal bore size and internal volumes up to and including 1"-inch/25mm, products offered in this catalog comply with S.E.P (Sound Engineering Practice) article 3, paragraph 3 of the Pressure Equipment Directive P.E.D. 97/23/EC and therefore CE marking is not applicable.

Quick Spec	
Product Scope	
Working Pressure	In accordance with ASME B16.5 for class 150 to 2500 (API 6A for 10K pressure class available)
Working Temperatures	450°F (232°C) for PTFE packing, 1000°F (528°C) for Graphite packing
Approvals	
API 607 5th Edition (fire test certified)	
ASME VIII (pressure boundaries)	
PED (Sound Engineering Practice)	
ASME B16.34 (bolting dimensions)	
EN 10204.3.1 (material traceability)	



Monoflange Valve Features & Benefits



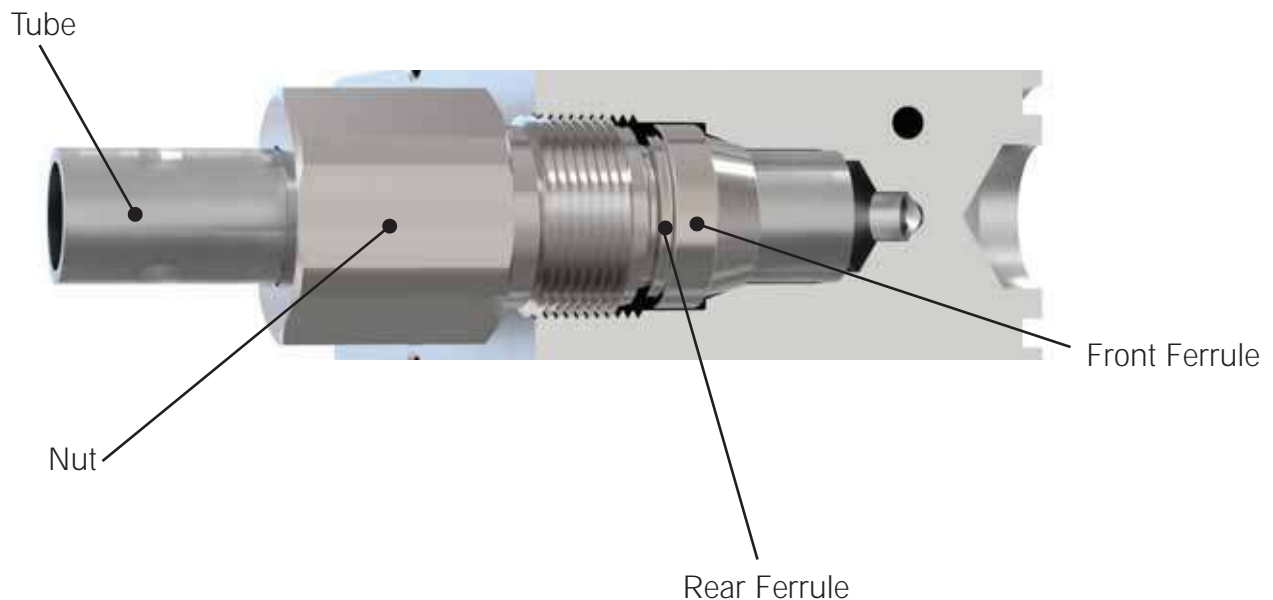
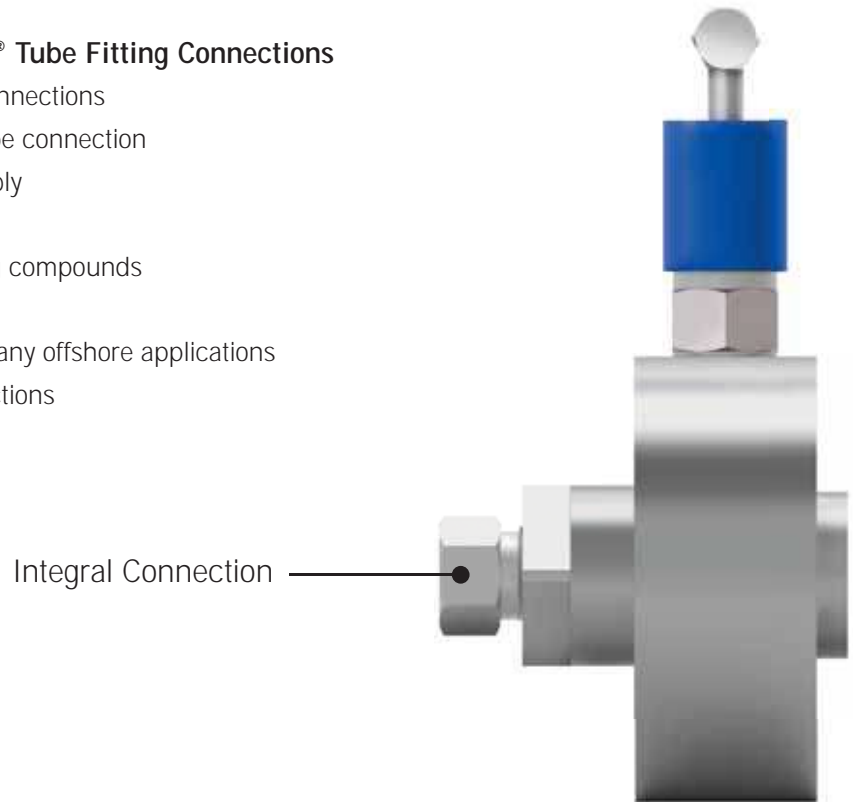
- Standard materials of construction: SST, A479 316; SST A479 316 NACE; SA479 316L, SA479 316L NACE; Carbon Steel A105; Carbon Steel, A105 NACE; Low Temp CS A350 LF2; HASTELLOY® C; INCOLOY® alloy 825; INCONEL® alloy 625; MONEL®; Duplex; Super Duplex, Titanium (Gr 2); Super Duplex A182F55;
- Screwed bonnet and OS&Y bonnets available
- Raised face (RF) and Ring Type Joint (RTJ) flange styles standard (API Flanges are available upon request)

HOKE® Integral / GYROLOK® Tube Fitting Connections

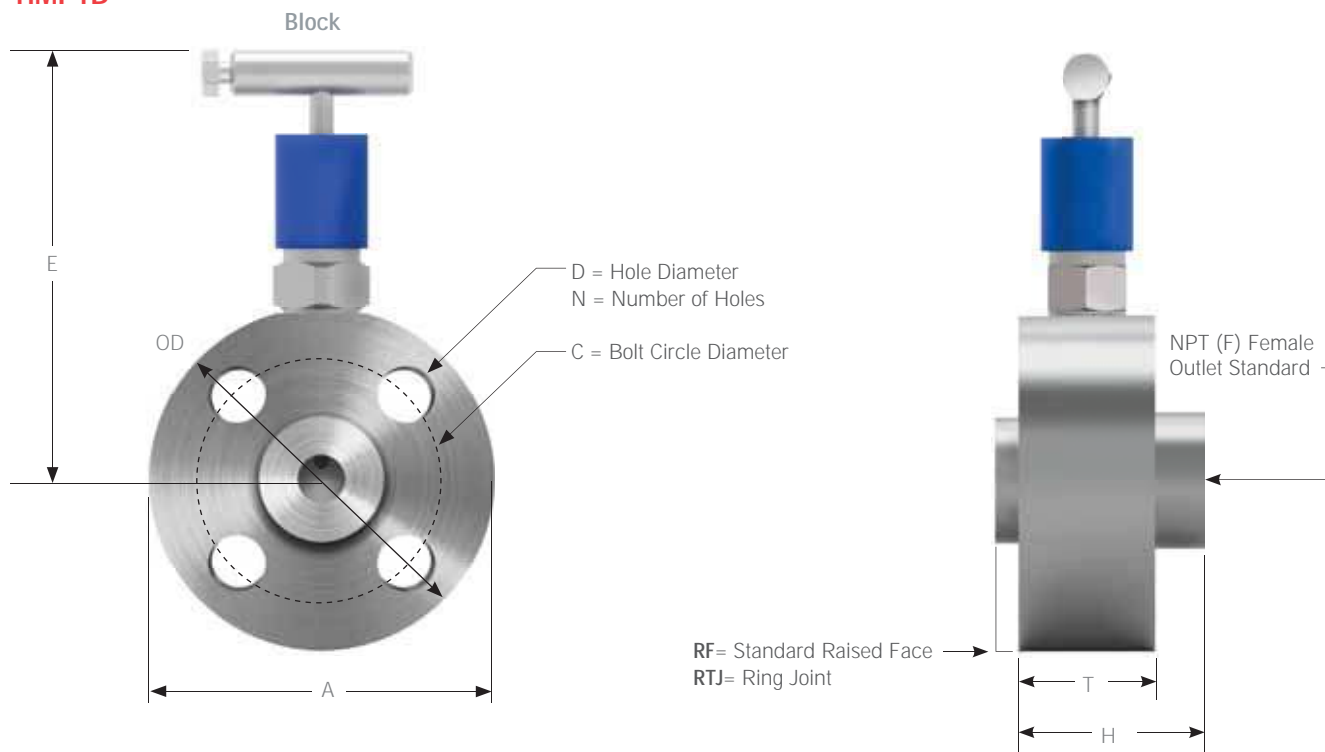
The HOKE® range of standard monoflanges are available with the option of the integral / GYROLOK® tube fitting connections. The integral / GYROLOK® tube fitting connection is machined directly into the body of the valve or manifold, allowing tubing to be directly connected without the use of traditional threaded (NPT, BSP) connections. The integral / GYROLOK® connection provides a safer connection system for high pressure, severe, steam or sour gas service where leakage has dangerous consequences.

An Explanation of Integral GYROLOK® Tube Fitting Connections

- Eliminates traditional threaded tubing connections
- Provides a safer and more consistent tube connection
- Saves assembly time during field assembly
- Reduces potential leak paths
- No need for sealing tape or liquid sealing compounds
- Fully field maintainable
- Successfully used for over 20 years in many offshore applications
- Available in 1/2" and 10mm tube connections

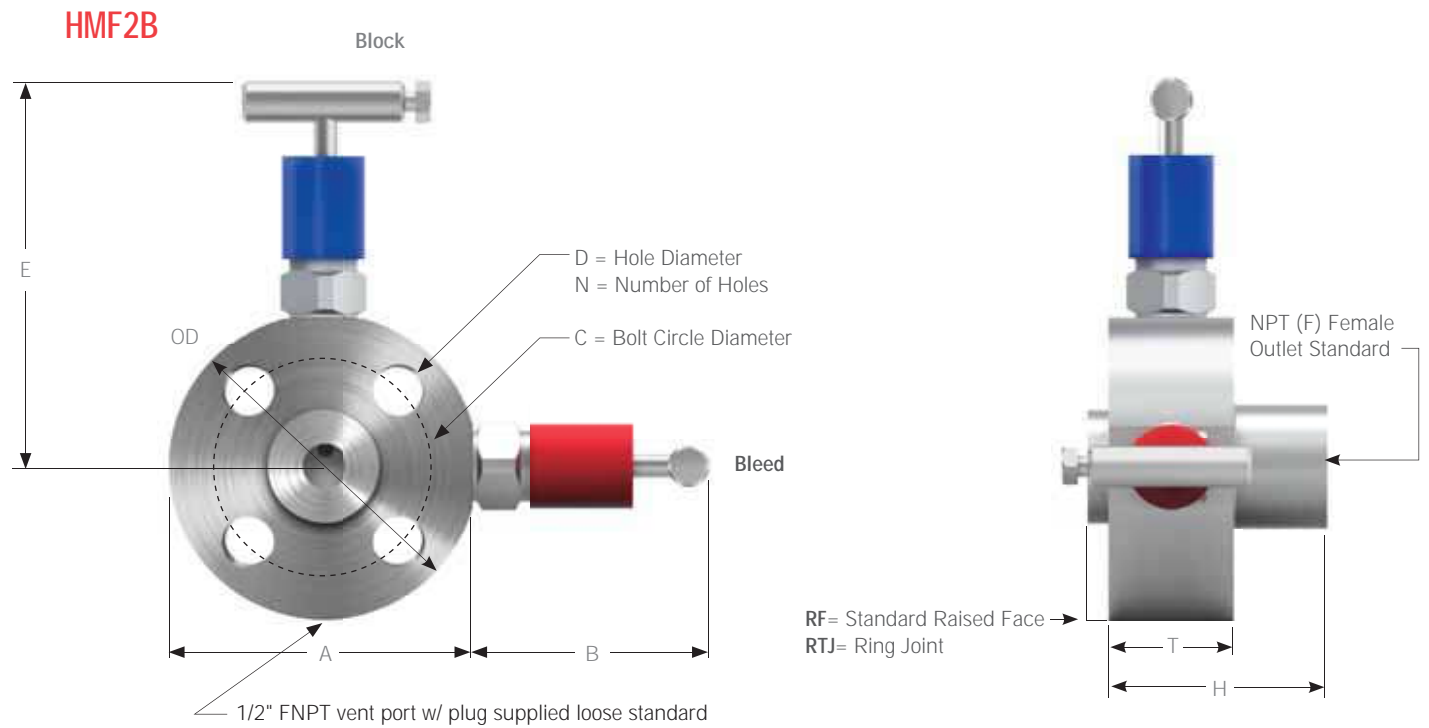


HMF1B



Standard Screwed Bonnet Dimensions (inches)

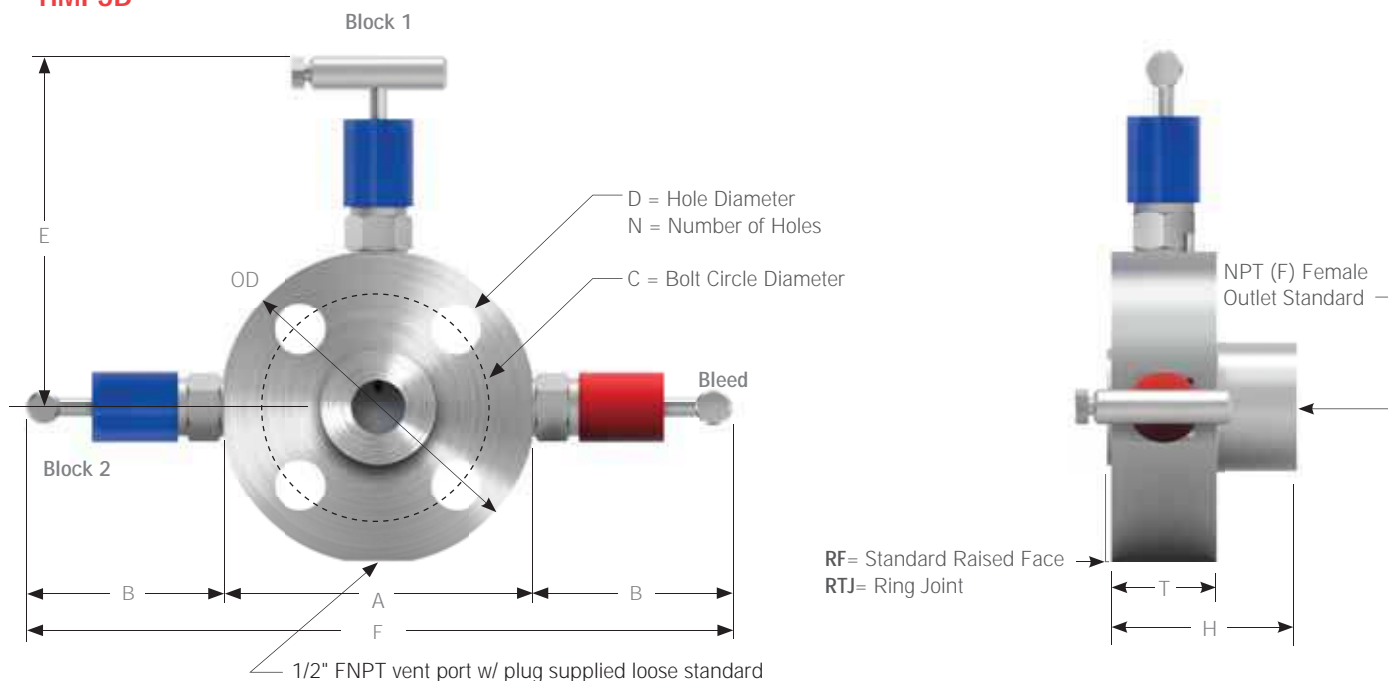
Size	Class	RF	RTJ	A	E	D	C	N	T	H	OD
1/2"	150	0.06	N/A	3.40	4.50	5/8	2.38	4	1.50	2.44	3.50
	300	0.06	0.219	3.65	4.63	5/8	2.62	4	1.50	2.63	3.75
	600	0.25	0.219	3.65	4.63	5/8	2.62	4	1.50	2.63	3.75
	900/1500	0.25	0.250	4.65	5.13	7/8	3.25	4	1.50	2.63	4.75
	2500	0.25	0.250	5.15	5.38	7/8	3.50	4	1.50	2.63	5.25
3/4"	150	0.06	N/A	3.78	4.75	5/8	2.75	4	1.50	2.63	3.88
	300	0.06	0.250	4.52	5.06	3/4	3.25	4	1.50	2.63	4.62
	600	0.25	0.250	4.52	5.06	3/4	3.25	4	1.50	2.63	4.62
	900/1500	0.25	0.250	5.02	5.31	7/8	3.50	4	1.50	2.63	5.12
	2500	0.25	0.250	5.40	5.50	7/8	3.75	4	1.50	2.63	5.50
1"	150	0.06	0.250	4.15	4.88	5/8	3.12	4	1.50	2.63	4.25
	300	0.06	0.250	4.78	5.19	3/4	3.50	4	1.50	2.63	4.88
	600	0.25	0.250	4.78	5.19	3/4	3.50	4	1.50	2.63	4.88
	900/1500	0.25	0.250	5.78	5.88	1	3.50	4	1.50	2.63	5.88
	2500	0.25	0.250	6.15	5.88	1	4.25	4	1.50	2.63	6.25
1-1/2"	150	0.06	0.250	4.90	5.25	5/8	3.88	4	1.50	2.63	5.00
	300	0.06	0.250	6.02	5.88	7/8	4.50	4	1.50	2.63	6.12
	600	0.25	0.250	6.02	5.88	7/8	4.50	4	1.50	2.63	6.12
	900/1500	0.25	0.250	6.90	6.25	1-1/8	4.88	4	1.50	2.63	7.00
	2500	0.25	0.312	7.90	6.75	1-1/4	5.75	4	1.75	2.63	8.00
2"	150	0.06	0.250	5.90	5.75	3/4	4.75	4	1.50	2.63	6.00
	300	0.06	0.312	6.40	6.00	3/4	5.00	8	1.50	2.63	6.50
	600	0.25	0.312	6.40	6.00	3/4	5.00	8	1.50	2.63	6.50
	900/1500	0.25	0.312	8.40	7.00	1	6.50	8	1.50	2.63	8.50
	2500	0.25	0.312	9.15	7.38	1-1/8	6.75	8	2.00	3.13	9.25



Standard Screwed Bonnet Dimensions (inches)

Size	Class	RF	RTJ	A	B*	E	D	C	N	T	H	OD
1/2"	150	0.06	N/A	3.40	2.94	4.50	5/8	2.38	4	1.50	2.44	3.50
	300	0.06	0.219	3.65	2.94	4.63	5/8	2.62	4	1.50	2.63	3.75
	600	0.25	0.219	3.65	2.94	4.63	5/8	2.62	4	1.50	2.63	3.75
	900/1500	0.25	0.250	4.65	2.94	5.13	7/8	3.25	4	1.50	2.63	4.75
	2500	0.25	0.250	5.15	2.94	5.38	7/8	3.50	4	1.50	2.63	5.25
3/4"	150	0.06	N/A	3.78	2.94	4.75	5/8	2.75	4	1.50	2.63	3.88
	300	0.06	0.250	4.52	2.94	5.06	3/4	3.25	4	1.50	2.63	4.62
	600	0.25	0.250	4.52	2.94	5.06	3/4	3.25	4	1.50	2.63	4.62
	900/1500	0.25	0.250	5.02	2.94	5.31	7/8	3.50	4	1.50	2.63	5.12
	2500	0.25	0.250	5.40	2.94	5.50	7/8	3.75	4	1.50	2.63	5.50
1"	150	0.06	0.250	4.15	2.94	4.88	5/8	3.12	4	1.50	2.63	4.25
	300	0.06	0.250	4.78	2.94	5.19	3/4	3.50	4	1.50	2.63	4.88
	600	0.25	0.250	4.78	2.94	5.19	3/4	3.50	4	1.50	2.63	4.88
	900/1500	0.25	0.250	5.78	2.94	5.88	1	4.00	4	1.50	2.63	5.88
	2500	0.25	0.250	6.15	2.94	5.88	1	4.25	4	1.50	2.63	6.25
1-1/2"	150	0.06	0.250	4.90	2.94	5.25	5/8	3.88	4	1.50	2.63	5.00
	300	0.06	0.250	6.02	2.94	5.88	7/8	4.50	4	1.50	2.63	6.12
	600	0.25	0.250	6.02	2.94	5.88	7/8	4.50	4	1.50	2.63	6.12
	900/1500	0.25	0.250	6.90	2.94	6.25	1-1/8	4.88	4	1.50	2.63	7.00
	2500	0.25	0.312	7.90	2.94	6.75	1-1/4	5.75	4	1.50	2.63	8.00
2"	150	0.06	0.250	5.90	2.94	5.75	3/4	4.75	4	1.50	2.63	6.00
	300	0.06	0.312	6.40	2.94	6.00	3/4	5.00	8	1.50	2.63	6.50
	600	0.25	0.312	6.40	2.94	6.00	3/4	5.00	8	1.50	2.63	6.50
	900/1500	0.25	0.312	8.40	2.94	7.00	1	6.50	8	1.50	2.63	8.50
	2500	0.25	0.312	9.15	2.94	7.38	1-1/8	6.75	8	2.00	3.13	9.25

HMF3B

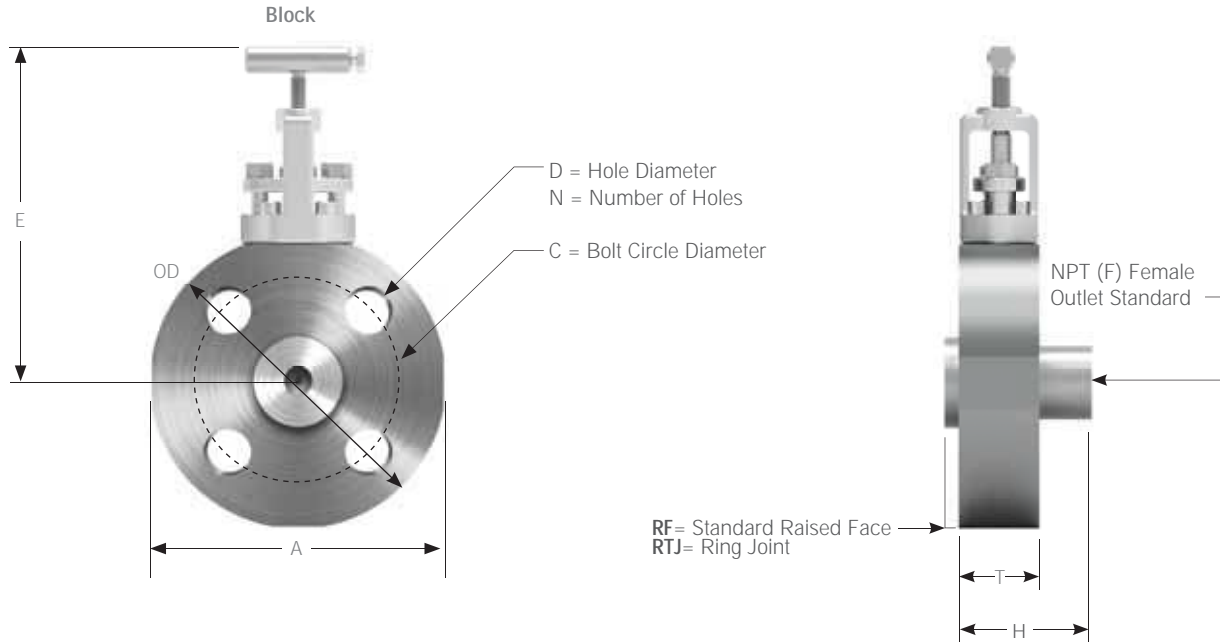


Standard Screwed Bonnet Dimensions (inches)

Size	Class	RF	RTJ	A	B*	E	F	D	C	N	T	H	OD
1/2"	150	0.06	N/A	3.40	2.94	4.50	9.28	5/8	2.38	4	1.50	2.44	3.50
	300	0.06	0.219	3.65	2.94	4.63	9.53	5/8	2.62	4	1.50	2.63	3.75
	600	0.25	0.219	3.65	2.94	4.63	9.53	5/8	2.62	4	1.50	2.63	3.75
	900/1500	0.25	0.250	4.65	2.94	5.13	10.53	7/8	3.25	4	1.50	2.63	4.75
	2500	0.25	0.250	5.15	2.94	5.38	11.03	7/8	3.50	4	1.50	2.63	5.25
3/4"	150	0.06	N/A	3.78	2.94	4.75	9.66	5/8	2.75	4	1.50	2.63	3.88
	300	0.06	0.250	4.52	2.94	5.06	10.40	3/4	3.25	4	1.50	2.63	4.62
	600	0.25	0.250	4.52	2.94	5.06	10.40	3/4	3.25	4	1.50	2.63	4.62
	900/1500	0.25	0.250	5.02	2.94	5.31	10.90	7/8	3.50	4	1.50	2.63	5.12
	2500	0.25	0.250	5.40	2.94	5.50	11.28	7/8	3.75	4	1.50	2.63	5.50
1"	150	0.06	0.250	4.15	2.94	4.88	10.03	5/8	3.12	4	1.50	2.63	4.25
	300	0.06	0.250	4.78	2.94	5.19	10.66	3/4	3.50	4	1.50	2.63	4.88
	600	0.25	0.250	4.78	2.94	5.19	10.66	3/4	3.50	4	1.50	2.63	4.88
	900/1500	0.25	0.250	5.78	2.94	5.88	11.66	1	4.00	4	1.50	2.63	5.88
	2500	0.25	0.250	6.15	2.94	5.88	12.03	1	4.25	4	1.50	2.63	6.25
1-1/2"	150	0.06	0.250	4.90	2.94	5.25	10.78	5/8	3.88	4	1.50	2.63	5.00
	300	0.06	0.250	6.02	2.94	5.88	11.90	7/8	4.50	4	1.50	2.63	6.12
	600	0.25	0.250	6.02	2.94	5.88	11.90	7/8	4.50	4	1.50	2.63	6.12
	900/1500	0.25	0.250	6.90	2.94	6.25	12.78	1-1/8	4.88	4	1.50	2.63	7.00
	2500	0.25	0.312	7.90	2.94	6.75	13.78	1-1/4	5.75	4	1.50	2.63	8.00
2"	150	0.06	0.250	5.90	2.94	5.75	11.28	3/4	4.75	4	1.50	2.63	6.00
	300	0.06	0.312	6.40	2.94	6.00	12.28	3/4	5.00	8	1.50	2.63	6.50
	600	0.25	0.312	6.40	2.94	6.00	12.28	3/4	5.00	8	1.50	2.63	6.50
	900/1500	0.25	0.312	8.40	2.94	7.00	14.28	1	6.50	8	1.50	2.63	8.50
	2500	0.25	0.312	9.15	2.94	7.38	15.03	1-1/8	6.75	8	2.00	3.13	9.25

*When fully open.

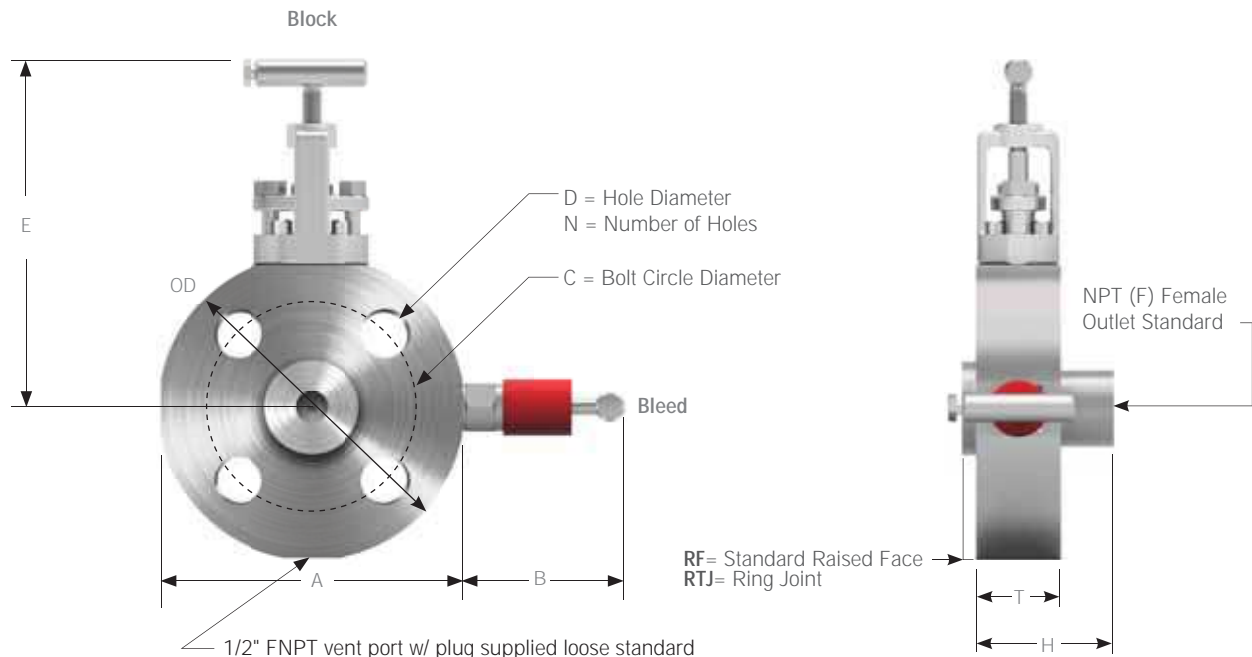
HMF1A



OS&Y Bonnet Dimensions (inches)

Size	Class	RF	RTJ	A	E	D	C	N	T	H	OD
1/2"	150	0.06	N/A	3.40	5.50	5/8	2.38	4	1.50	2.44	3.50
	300	0.06	0.219	3.65	5.63	5/8	2.62	4	1.50	2.63	3.75
	600	0.25	0.219	3.65	5.63	5/8	2.62	4	1.50	2.63	3.75
	900/1500	0.25	0.250	4.65	6.13	7/8	3.25	4	1.50	2.63	4.75
	2500	0.25	0.250	5.15	6.38	7/8	3.50	4	1.50	2.63	5.25
3/4"	150	0.06	N/A	3.78	5.75	5/8	2.75	4	1.50	2.63	3.88
	300	0.06	0.250	4.52	6.06	3/4	3.25	4	1.50	2.63	4.62
	600	0.25	0.250	4.52	6.06	3/4	3.25	4	1.50	2.63	4.62
	900/1500	0.25	0.250	5.02	6.31	7/8	3.50	4	1.50	2.63	5.12
	2500	0.25	0.250	5.40	6.50	7/8	3.75	4	1.50	2.63	5.50
1"	150	0.06	0.250	4.15	5.88	5/8	3.12	4	1.50	2.63	4.25
	300	0.06	0.250	4.78	6.19	3/4	3.50	4	1.50	2.63	4.88
	600	0.25	0.250	4.78	6.19	3/4	3.50	4	1.50	2.63	4.88
	900/1500	0.25	0.250	5.78	6.88	1	4.00	4	1.50	2.63	5.88
	2500	0.25	0.250	6.15	6.88	1	4.25	4	1.50	2.63	6.25
1-1/2"	150	0.06	0.250	4.90	6.25	5/8	3.88	4	1.50	2.63	5.00
	300	0.06	0.250	6.02	6.88	7/8	4.50	4	1.50	2.63	6.12
	600	0.25	0.250	6.02	6.88	7/8	4.50	4	1.50	2.63	6.12
	900/1500	0.25	0.250	6.90	7.25	1-1/8	4.88	4	1.50	2.63	7.00
	2500	0.25	0.312	7.90	7.25	1-1/4	5.75	4	1.50	2.69	8.00
2"	150	0.06	0.250	5.90	6.75	3/4	4.75	4	1.50	2.63	6.00
	300	0.06	0.312	6.40	7.00	3/4	5.00	8	1.50	2.63	6.50
	600	0.25	0.312	6.40	7.00	3/4	5.00	8	1.50	2.63	6.50
	900/1500	0.25	0.312	8.40	8.00	1	6.50	8	1.50	2.63	8.50
	2500	0.25	0.312	9.15	8.38	1-1/8	6.75	8	2.00	3.13	9.25

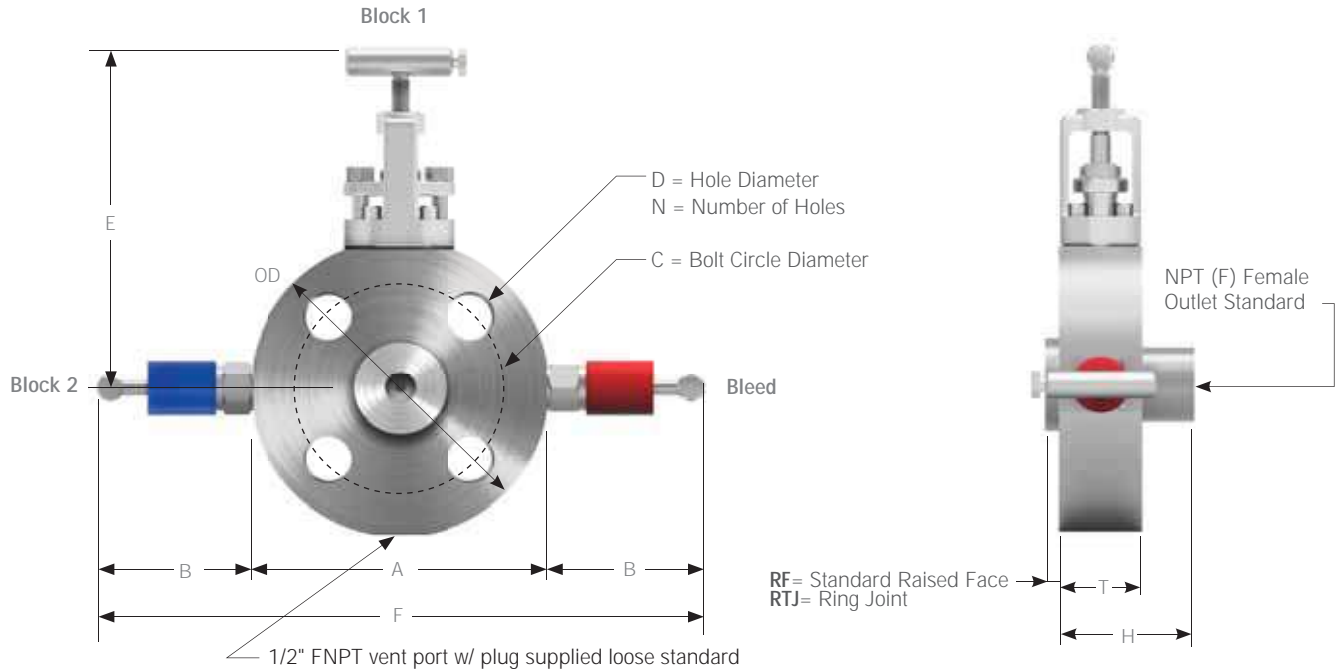
HMF2A



OS&Y Bonnet Dimensions (inches)												
Size	Class	RF	RTJ	A	B*	E	D	C	N	T	H	OD
1/2"	150	0.06	N/A	3.40	2.94	5.50	5/8	2.38	4	1.50	2.44	3.50
	300	0.06	0.219	3.65	2.94	5.63	5/8	2.62	4	1.50	2.63	3.75
	600	0.25	0.219	3.65	2.94	5.63	5/8	2.62	4	1.50	2.63	3.75
	900/1500	0.25	0.250	4.65	2.94	6.13	7/8	3.25	4	1.50	2.63	4.75
	2500	0.25	0.250	5.15	2.94	6.38	7/8	3.50	4	1.50	2.63	5.25
3/4"	150	0.06	N/A	3.78	2.94	5.75	5/8	2.75	4	1.50	2.63	3.88
	300	0.06	0.250	4.52	2.94	6.06	3/4	3.25	4	1.50	2.63	4.62
	600	0.25	0.250	4.52	2.94	6.06	3/4	3.25	4	1.50	2.63	4.62
	900/1500	0.25	0.250	5.02	2.94	6.31	7/8	3.50	4	1.50	2.63	5.12
	2500	0.25	0.250	5.40	2.94	6.50	7/8	3.75	4	1.50	2.63	5.50
1"	150	0.06	0.250	4.15	2.94	5.88	5/8	3.12	4	1.50	2.63	4.25
	300	0.06	0.250	4.78	2.94	6.19	3/4	3.50	4	1.50	2.63	4.88
	600	0.25	0.250	4.78	2.94	6.19	3/4	3.50	4	1.50	2.63	4.88
	900/1500	0.25	0.250	5.78	2.94	6.88	1	4.00	4	1.50	2.63	5.88
	2500	0.25	0.250	6.15	2.94	6.88	1	4.25	4	1.50	2.63	6.25
1-1/2"	150	0.06	0.250	4.90	2.94	6.25	5/8	3.88	4	1.50	2.63	5.00
	300	0.06	0.250	6.02	2.94	6.88	7/8	4.50	4	1.50	2.63	6.12
	600	0.25	0.250	6.02	2.94	6.88	7/8	4.50	4	1.50	2.63	6.12
	900/1500	0.25	0.250	6.90	2.94	7.25	1-1/8	4.88	4	1.50	2.63	7.00
	2500	0.25	0.312	7.90	2.94	7.25	1-1/4	5.75	4	1.50	2.63	8.00
2"	150	0.06	0.250	5.90	2.94	6.75	3/4	4.75	4	1.50	2.63	6.00
	300	0.06	0.312	6.40	2.94	7.00	3/4	5.00	8	1.50	2.63	6.50
	600	0.25	0.312	6.40	2.94	7.00	3/4	5.00	8	1.50	2.63	6.50
	900/1500	0.25	0.312	8.40	2.94	8.00	1	6.50	8	1.50	2.63	8.50
	2500	0.25	0.312	9.15	2.94	8.38	1-1/8	6.75	8	2.00	3.13	9.25

*When fully open.

HMF3A



OS&Y Bonnet Dimensions (inches)

Size	Class	RF	RTJ	A	B*	E	F	D	C	N	T	H	OD
1/2"	150	0.06	N/A	3.40	2.94	5.50	9.28	5/8	2.38	4	1.50	2.44	3.50
	300	0.06	0.219	3.65	2.94	5.63	9.53	5/8	2.62	4	1.50	2.63	3.75
	600	0.25	0.219	3.65	2.94	5.63	9.53	5/8	2.62	4	1.50	2.63	3.75
	900/1500	0.25	0.250	4.65	2.94	6.13	10.53	7/8	3.25	4	1.50	2.63	4.75
	2500	0.25	0.250	5.15	2.94	6.38	11.03	7/8	3.50	4	1.50	2.63	5.25
3/4"	150	0.06	N/A	3.78	2.94	5.75	9.66	5/8	2.75	4	1.50	2.63	3.88
	300	0.06	0.250	4.52	2.94	6.06	10.40	3/4	3.25	4	1.50	2.63	4.62
	600	0.25	0.250	4.52	2.94	6.06	10.40	3/4	3.25	4	1.50	2.63	4.62
	900/1500	0.25	0.250	5.02	2.94	6.31	10.90	7/8	3.50	4	1.50	2.63	5.12
	2500	0.25	0.250	5.40	2.94	6.50	11.28	7/8	3.75	4	1.50	2.63	5.50
1"	150	0.06	0.250	4.15	2.94	5.88	10.03	5/8	3.12	4	1.50	2.63	4.25
	300	0.06	0.250	4.78	2.94	6.19	10.66	3/4	3.50	4	1.50	2.63	4.88
	600	0.25	0.250	4.78	2.94	6.19	10.66	3/4	3.50	4	1.50	2.63	4.88
	900/1500	0.25	0.250	5.78	2.94	6.88	11.66	1	4.00	4	1.50	2.63	5.88
	2500	0.25	0.250	6.15	2.94	6.88	12.03	1	4.25	4	1.50	2.63	6.25
1-1/2"	150	0.06	0.250	4.90	2.94	6.25	10.78	5/8	3.88	4	1.50	2.63	5.00
	300	0.06	0.250	6.02	2.94	6.88	11.90	7/8	4.50	4	1.50	2.63	6.12
	600	0.25	0.250	6.02	2.94	6.88	11.90	7/8	4.50	4	1.50	2.63	6.12
	900/1500	0.25	0.250	6.90	2.94	7.25	12.78	1-1/8	4.88	4	1.50	2.63	7.00
	2500	0.25	0.312	7.90	2.94	7.25	13.78	1-1/4	5.75	4	1.50	2.63	8.00
2"	150	0.06	0.250	5.90	2.94	6.75	11.28	3/4	4.75	4	1.50	2.63	6.00
	300	0.06	0.312	6.40	2.94	7.00	12.28	3/4	5.00	8	1.50	2.63	6.50
	600	0.25	0.312	6.40	2.94	7.00	12.28	3/4	5.00	8	1.50	2.63	6.50
	900/1500	0.25	0.312	8.40	2.94	8.00	14.28	1	6.50	8	1.50	2.63	8.50
	2500	0.25	0.312	9.15	2.94	8.38	15.03	1-1/8	6.75	8	2.00	3.13	9.25

*When fully open.

HOKE® Monoflange Ordering Information

How To Order

Typical Ordering Part Number

HMF 1 A 1 A 1 A YL 1 AB

STYLE

- 1 = Single Block
- 2 = Block & Bleed
- 3 = Double Block & Bleed

PRIMARY VALVE

- A = OS & Y
- B = Needle

PACKING

- 1 = PTFE
- 2 = Graphite
- 3 = Firesafe
- 4 = Low Emission

FLANGED INLET

- A = 1/2" ANSI
- B = 3/4" ANSI
- C = 1" ANSI
- D = 1 1/2" ANSI
- E = 2" ANSI
- F = 1 13/16" API
- G = 2 1/16" API
- H = 2 9/16" API
- I = 3" ANSI

INLET FACE

- 1 = RF Smooth
- 2 = RTJ Ring Joint
- 3 = BX

RATING

- 1 = 150#
- 2 = 300#
- 3 = 600#
- 4 = 900#/1500#
- 5 = 2500#
- 6 = 2,000 API
- 7 = 3000 API
- 8 = 5000 API
- 9 = 10,000 API

ALLOY

- YL = 316/316L
- DX3 = Duplex 22% CR
- D50 = Super Duplex 25% CR
- 625 = INCONEL® alloy 625
- 825 = INCONEL® alloy 825
- 6MO = 254 SMO
- M = MONEL® alloy 400
- HC = H C276
- Ti = Ti
- Tb = Ti w/Anodize
- CS1 = A105N
- CS2 = A350 LF2

OUTLET

- B = 10mm Integral GYROLOK®
- C = 1/4" GYROLOK®
- D = 1/2" GYROLOK®
- F = 3/4" GYROLOK®
- G = 1/4" Female NPT
- H = 1/2" Female NPT
- I = 3/4" Female NPT
- J = 9/16" MP
- K = 1/2" Male NPT

NOTE: 1/2" FNPT vent port w/ plug supplied loose standard.

Options

- | | |
|---------------------------|-----------------------|
| AB = Anti Tamper Vent* | AH = BSPP Connections |
| AC = Lockable Vent* | FS = Firesafe |
| AD = Anti Tamper Isolate* | AO = NORSOK M-650 |
| AE = Lockable Isolate* | Material Required |

* Available only on needle bonnet
RIHDL-316 Key Sold Separately



The Small Bore Instrumentation Specialists



We specialize in small bore instrumentation products up to 2" that deliver benchmark performance quality & safety; provide the broadest array of superior alloy offerings in the market; decades of proven success in a wide range of industries; a roster of "who's who" customers & projects globally; original "Best Solution" engineering & designs; and are focused on continuous improvement in all aspects of our business.

Proudly Distributed By:



CRANE INSTRUMENTATION & SAMPLING Inc.
405 Centura Ct.
Spartanburg, SC 29305, USA
Tel: 1-864-574-7966
PO Box 4866, Spartanburg, SC 29305-4866 USA

Crane Co., and its subsidiaries cannot accept responsibility for possible errors in catalogues, brochures, other printed materials, and website information. Crane Co. reserves the right to alter its products without notice, including products already on order provided that such alteration can be made without changes being necessary in specifications already agreed. All trademarks in this material are the property of the Crane Co. or its subsidiaries. The Crane and Crane brands logotype (CENTER LINE®, COMPAC-NOZ®, CRANE®, DEPA® & ELRO®, DOPAK®, DUO-CHEK®, FLOWSEAL®, GYROLOK®, GO REGULATOR®, HOKE®, JENKINS®, KROMBACH®, NOZ-CHEK®, PACIFIC VALVES®, RESISTOFLEX®, REVO®, SAUNDERS®, STOCKHAM®, TEXAS SAMPLING®, TRIANGLE®, UNI-CHEK®, VALVES®, WTA®, and XOMOX®) are registered trademarks of Crane Co. All rights reserved.



Representante Oficial
Tel: +54 11 4932-2322
Email: ventas@cvcontrol.com.ar
www.cvcontrol.com.ar